



Power Transmission Equipment

SUMITOMO CYCLO DRIVE with wide range of application.



Cyclo® Servomotor Servo 6000

Low backlash versions of the standard Cyclo® drive. available in both foot mounted and flange mounted designs.



Cyclo® Servomotor Servo 100

Excellent combination of high strength, low inertia, low noise and high reduction ratios in a small, lightweight package.



Seisa Planetary (Compower®)

Planetary gear reducer ideal for extreme shockload applications



Cyclo® 6000

The Sumitomo Cyclo drive is unsurpassed by any other inline drive available in the market today.



Astero®

Modular motors, gearheads and controllers for industrial and commercial applications



Beier® Cyclo® Variator

Provides not only an adjustable speed range, but extremely low output speeds as well.



Beier® Variator

Adjustable speed, viscous traction drive with manual handwheel or electric remote control

Piston Distributors

DPB and DPF Series



DS 2, 3, 5 and 8 Series



DSA 2, 4, 6 and 8 Series



DSB 3, 5 and 7 Series



Adjustable Feeders

VA Series



VB Series



Grease Distributors

SG23, SG24, SG25 and SG26 Series



SG604, SG606, SG608, SG610 and SG612 Series



PSS, PST and PTT Series



KPF and KPB Series



CSS, CST and CTT Series



Manual Grease Pumps

SHGD61 and
SHGD121 Series



SHGD6 and
SHGD12 Series



Automatic Grease Pumps

MHG71 and
MHG72 Series



MHG41 and
MHG42 Series



WB2 Series



WBR2 Series



Timers

YD Timer



YM Timer



YX Timer



YT Timer



Adapters, Connectors, Swivels, Hoses, and Junctions

DA and DB Style



DA and DB Style



DA and DB Style



Automatic Piston Pumps (PDI Systems)

LCA3 Series



LCA4 Series



LCB1 Series



LCB2 Series



LCB3 Series



LCB4 Series



LCB5 Series



MLA*W & MLB*W Series



MLA015W,03W,03WT
and 05W Series



MLB015W2,015W3,
and 03W2 Series



MLB015W and
MLB03W Series



LAW-6 and LAW-8 Series
(Manual Pump)



Manual Piston Pumps (SLR Systems)

EA-3 Series



EA8 Series



HLA-7R and
HLA7L Series



"A" Series



"FA" Series



"BM" Series



LD6 and LD8 Series



LA3 Series



LA8D Series



Automatic Piston Pumps (SLR Systems)

SMA Series



SMD Series



SSMA Series



YMB Series



YMAS Series



YMAS-36YN



MY6 Series



Pneumatic (Air Operated) Pumps

HP4W Series



HP8W Series



Automatic Gear Pumps (SLR Systems)

MLA, MLC and MLD Series



MLA015-FAH



MV1 and MV3 Series



MLA10,15,30,50,70 and 100 Series



MLD052,102,302,304,503,505,704,705,1004 and 1005 Series



MLA006,015,03,05 and 05-5 Series



MLC051 and MLC101 Series



Motor Gear, Gear Motor

Wide range of motor variation

- * Induction motor
- * Reversible motor
- * Three phase motor
- * Various speed motor
- * Electromagnetic brake motor
- * C&B motor

Input voltage Single phase 100-120V
Single phase 200-240V

- * **Three models**- 40W or less/100V
60W and 90W/100V
90W or less/200V



Shin-G series / LOW NOISE TYPE



Induction motor



Reversible motor



Variable speed motor
Unit Type Speed Control Motor
















Gear head





NB Product Index

	Slide Guide		Ball Spline Stroke Ball Spline		Rotary Ball Spline
	Topball Products		Slide Bush		Slide Unit
	Stroke Bush		Slide Rotary Bush		Slide Shaft
	Slide Way		Gonio Way		Actuator
	Slide Screw				

KYOWA Motor Roller

KYOWA DC PULSEROLLER



KYOWA DC Motor Roller used primarily in the field of factory automation for manufacturing, shipping lines, and for connections between equipment.



Standard specifications
3Phase 200V400V class



Brake specifications
3Phase 200V400V class



Variou specifications
(Urethane rubber, round groove, etc)



20W (Low-cost type)



28W (Standard type)



35W (High torque type)



50W (High power & speed type)

Driver cards (Control circuit board for PULSEROLLERS)



EZ-24

Used with all Pulseroller product ranges

(20W, 28W, 35W, 50W)

- * Digital speed setting (stable speed logic)
- * Acceleration / Deceleration setting
- * Brake method changeability
(Free, Short, Servo-lock)
- * Photo-sensor direct connectability
- * NPN/PNP input automatic recognition



V12F

Used for 20W Pulseroller

- * Easy & simple commutation module
- * Speed setting by potentiometer
- * Overheat/Overcurrent protection
- * Rotation direction change by DIP switch



DP3

Used for 35W Pulseroller

- * ZPA (zero pressure accumulation)
- * logic (single, slave, train)
- * Speed setting by potentiometer
- * Overheat/Overcurrent protection
- * Rotation direction change by
DIP switch
- * Power saving functionality

KHK Super Gear



Ground Spur Gears
(MSGA)



Ground Spur Pinion Shafts
(SSGS)



Ground Spur Gears
(SSG)



Spur Pinion Shafts
(SSS)



Steel Spur Gears
(SS)



Steel, Hubless Spur Gears
(SSA)



Steel, Thin Face Spur Gears
(SSY)



Steel, Hubless, Thin Face Spur Gears
(SSAY)



SSAY Stock Gears with
K-Clamps



Sintered Metal Spur Gears
(LS)



Stainless, Steel, Spur Gears
(SUS SUSA)



Fairloc Hub Gears
(SUSL)



Fairloc Hub Acetal
Spur Gears (DSL)



Plastic Spur Gears with Steel Core
(NSU)



Plastic Spur
with Stainless Steel Core
(PU)



Plastic Spur Gears
(PS PSA)



Injection Molded
Spur Gears
(DS)



Brass Spur Gears
(BSS)



Steel Ring Gears (Spur Gears)
(SSR)

KHK Helical Gear



Ground Helical Gears
(KHG)



Helical Gears
(SH)

KHK Stock Gears



Bevel Gears



CP Racks & Pinions



Gearbox



Helical Gears



Internal Gears



Miter Gears



Racks



Screw Gears



Spur Gears



Worm Gears



Others

KHK Rack Gear



Ground Racks
(KRG(F)(D))



Ground Racks (SRG(F))



Racks with Machined Ends
(KRF)



Racks
(SR)



Racks with Machined Ends
(SRF)



Racks with Bolts Holes
(SRFD/SRFK)



Stainless Steel Racks
(SUR(F)(D))



Plastic Racks
(PR(F))



Brass Racks
(BSR)



Molded Flexible Racks
(DR)



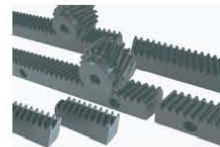
Round Racks
(SRO(S))



Round Racks
(SURO)



Ground Helical Racks
(KRHG(F))



Helical Racks
(SRH(F)(D))

KHK CP Rack Gear



CP Tepered Racks
(STRCPF(D))



CP Ground Racks
(KRGCP(F)(D))



CP Ground Racks
(SRGCP(F))



CP Racks
(KRCPF)



CP Racks
(SRCPF(F)(D))



CP Stainless Steel Racks
(SURCPF(D))



CP Round Racks
(SROCP)



CP Metal Flexible Racks
(FRCP)

KHK Gear



KHK stock gears offer the largest selection of standardized metric gears. Our gears are produced to the ISO / JIS gear standard. We can also manufacture Custom Gears per your specifications.

KHK CP Pinion Gear



Tepred Pinion
(KTSCP)



CP Ground Spur Gears
(SSCPGS)



CP Ground Spur Gears
(SSCPG)



CP Spur Gears
(SSCP)



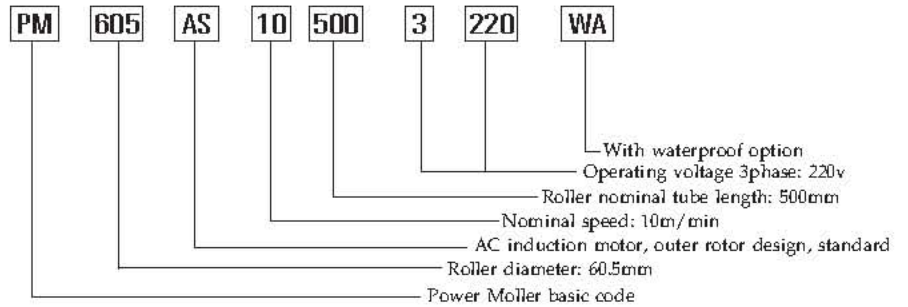
CP Stainless Steel Gears
(SUSCP)

ITOH DENKI Powermoller

AC Power Moller



Designation Examples



Roller (Galvanised carbon steel tube as standard)	Diameter : 38, 42.7, 48.6, 50, 57, 60.5 (mm) and tapered roller with small diameter 50 (900 mm inner radius) Length : Min. 200 to 1000 mm with 1 mm increment
Motor	AC : Standard, Accumulation, High power DC : Brushed motor, Brushless motor
Motor Voltage	AC : 1ph 100, 110, 115, 200, 220, 230, 240V 3ph 200, 220, 230, 240 DC : 24V
Speed (Nominal)	4, 5, 8, 9, 10, 13, 15, 20, 30, 45, 50, 60 (m/min)
Option	Rubber lagging (NR, PU, NBR, etc) Built-in brake, Waterproof (IP65), Dripproof (IP55), Crean room, Free clutch, Stainless steel tube, Grooved tube, V and round belt pulley, etc.

DC Power Moller



DC Motor Rollers

- PM486FS
- PM486FE
- PM486FP
- PM486FX • PM486XE/XP
- PM570FE
- PM605FE
- PM635FS

AC Power Moller



AC Motor Rollers

- PM380AS
- PM427AS
- PM486BS
- PM570AS
- PM570BP
- PM570AU • PM605AS
- PM605BP
- PM605AU
- PMT50AS
- PM763BS

DRIVER CARDS



- CB-002
- CB-005
- CB-016S2
- CB-016S4

Application with FREEBEAR

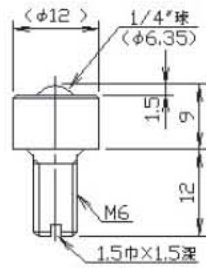


Variety of BALL TRANSFERS and Extended Use



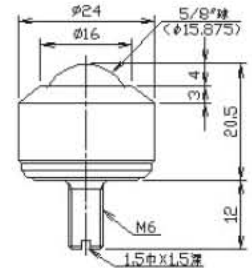
C-2H

Tolerable load 5kg Dead weight 10g



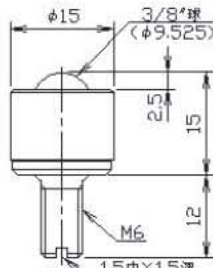
C-5HT

Tolerable load 20kg Dead weight 50g



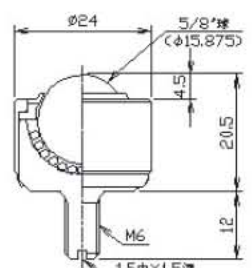
C-3H

Tolerable load 8kg Dead weight 18g



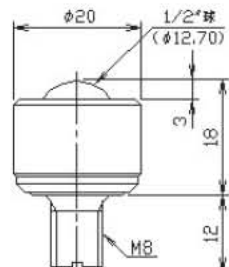
C-5HR

Tolerable load 20kg Dead weight 55g



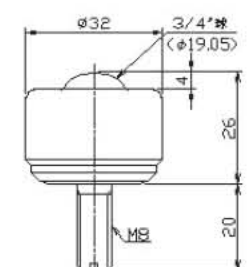
C-4H

Tolerable load 10kg Dead weight 36g



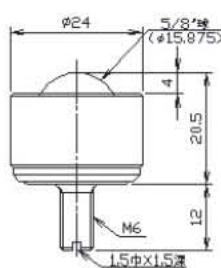
C-6H

Tolerable load 50kg Dead weight 130g



C-5H

Tolerable load 20kg Dead weight 56g



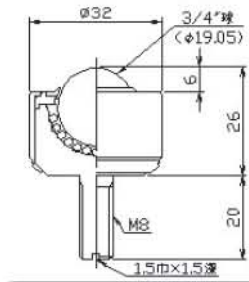
C-6HT

Tolerable load 50kg Dead weight 120g



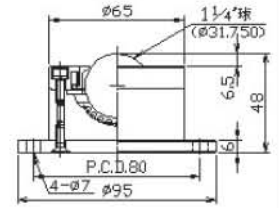
C-6HR

Tolerable load 50kg Dead weight 125g



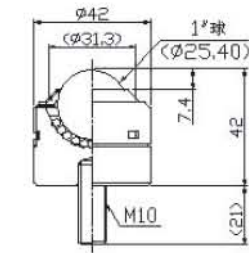
C-10H

Tolerable load 150kg Dead weight 1,400g



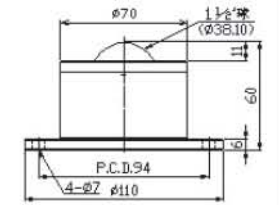
C-8H

Tolerable load 80kg Dead weight 336g



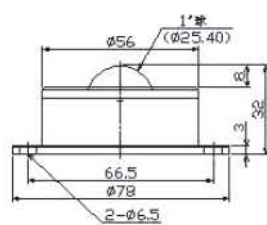
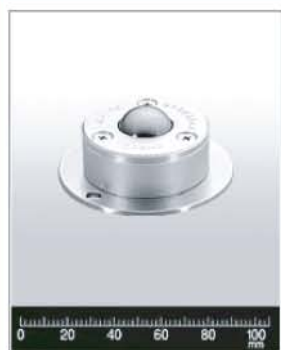
C-12H

Tolerable load 300kg Dead weight 1,670g



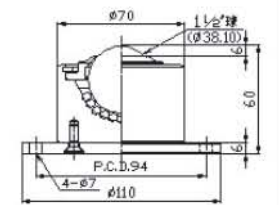
C-8HA

Tolerable load 80kg Dead weight 498g



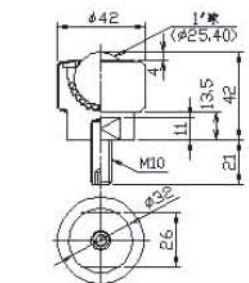
C-12HR

Tolerable load 300kg Dead weight 1,660g



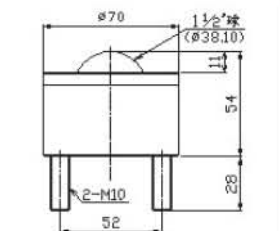
C-8HB

Tolerable load 100kg Dead weight 310g

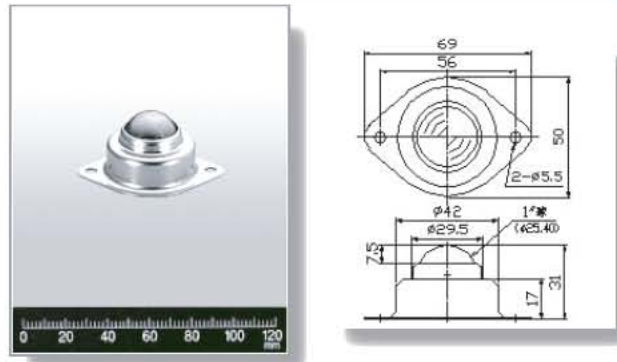


C-12HA

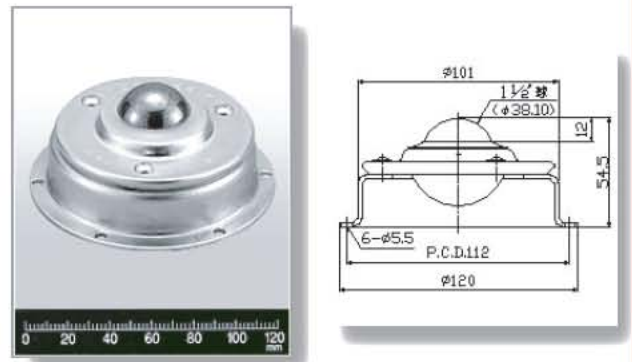
Tolerable load 300kg Dead weight 1,270g



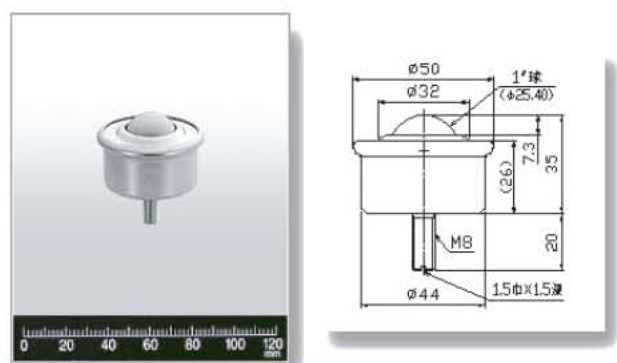
C-8Y Tolerable load 30kg Dead weight 139g



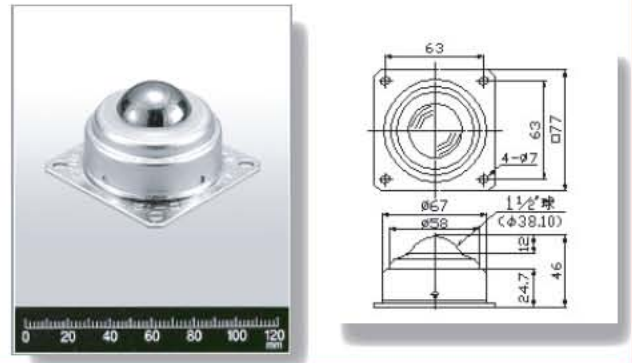
C-12L-5 Tolerable load 60kg Dead weight 705g



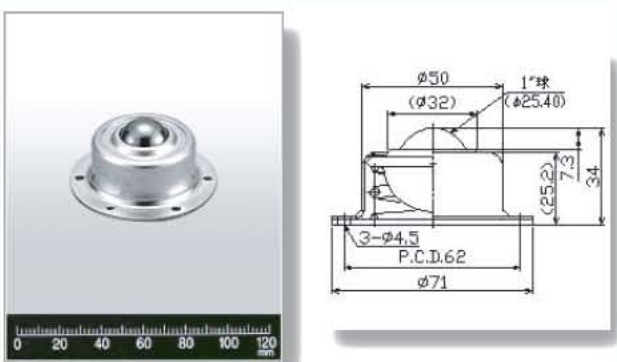
C-8B Tolerable load 30kg Dead weight 165g



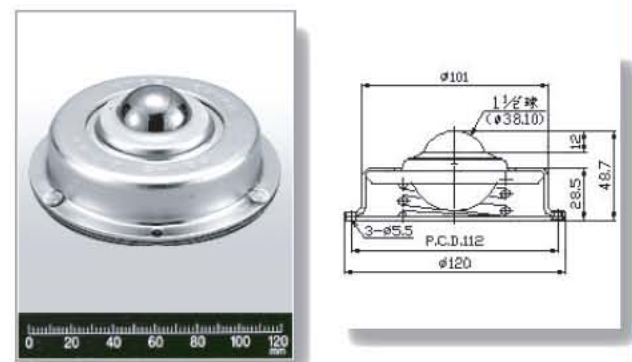
C-12K Tolerable load 60kg Dead weight 495g



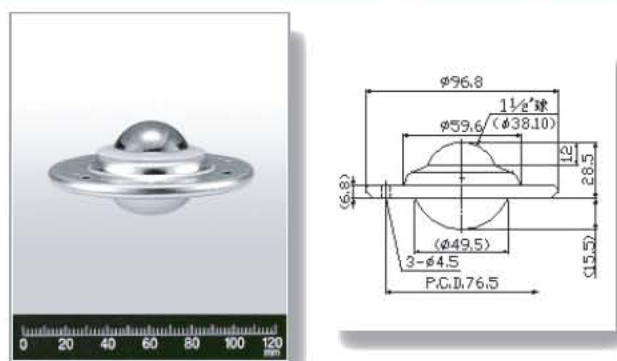
C-8S Tolerable load 30kg Dead weight 235g



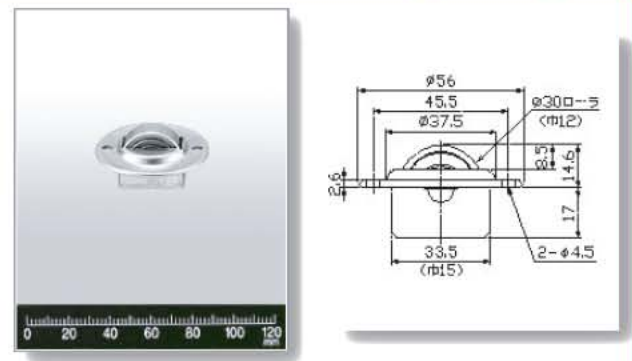
C-12S Tolerable load 60kg Dead weight 975g



C-12 Tolerable load 60kg Dead weight 505g

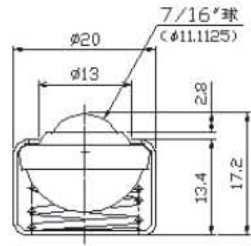
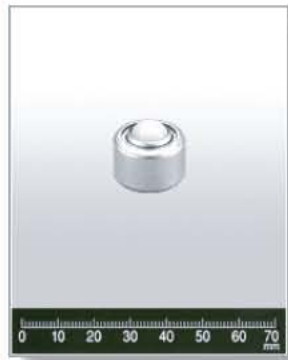


F-30 Tolerable load 30kg Dead weight 90g



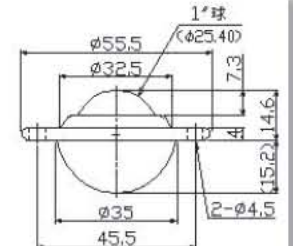
P-8S

Tolerable load 1kg Dead weight 10g



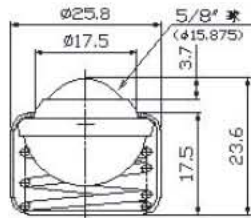
P-8L

Tolerable load 5kg Dead weight 75g



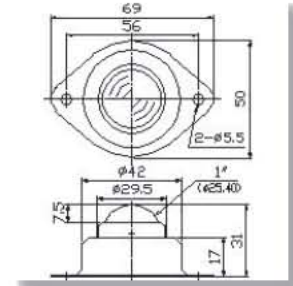
P-5S

Tolerable load 2kg Dead weight 25g



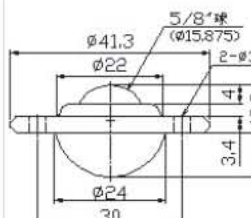
P-8Y

Tolerable load 5kg Dead weight 80g



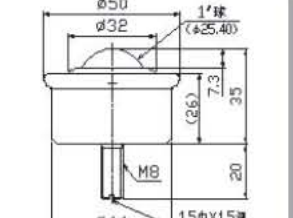
P-5L

Tolerable load 2kg Dead weight 30g



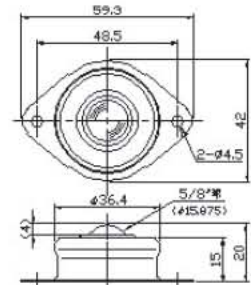
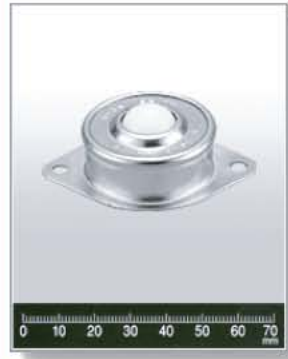
P-8B

Tolerable load 5kg Dead weight 105g



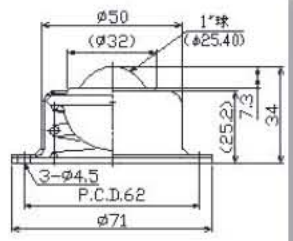
P-5L-5

Tolerable load 2kg Dead weight 35g



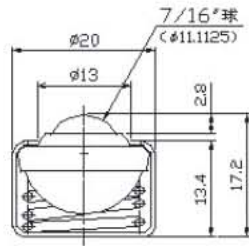
P-8S

Tolerable load 5kg Dead weight 180g



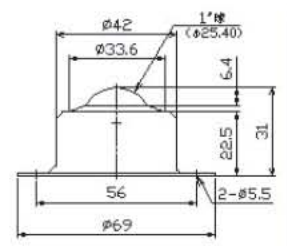
C-3S

Tolerable load 5kg Dead weight 20g



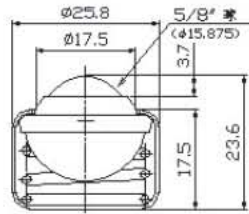
C-8R

Tolerable load 30kg Dead weight 150g



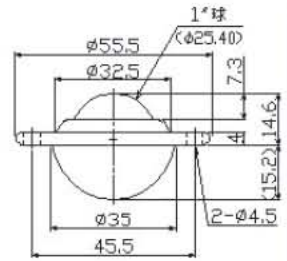
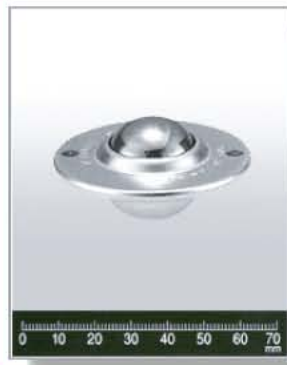
C-5S

Tolerable load 8kg Dead weight 35g



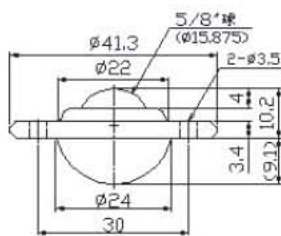
C-8L

Tolerable load 30kg Dead weight 132g



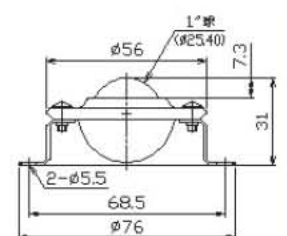
C-5L

Tolerable load 8kg Dead weight 45g



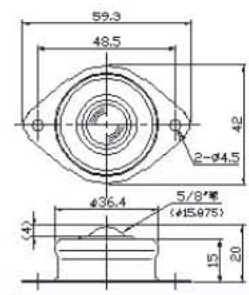
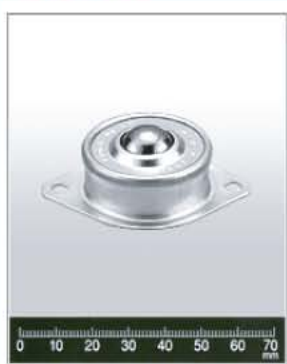
C-8L-5

Tolerable load 30kg Dead weight 185g



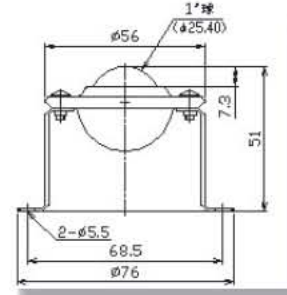
C-5L-5

Tolerable load 8kg Dead weight 50g



C-8L-6

Tolerable load 30kg Dead weight 210g



TSUBAKI

TSUBAKIMOTO EMERSON, TEM Products Gear Motor, Motor Gear, Power Cylinder, Emerworm, Miter Gear, Hypoid Motor, DISCO motor gear, Cam Clutch, Torq gard, Shock Relay, Shock Monitor, Torque Limiter, Roller Chain, TOP Chain, Plastic Chain, Power Lock, Lini-power Jack, Overload Protection, Torque Limiter, Torq Gard, Shaft Coupling, Emer-Flex Coupling, Miter Gear Box, Hypoid Motor

TSUBAKI Cableveyor



TKP Series	TKP0130W, TKP0170W, TKP0180W, TKP0250W, TKP0320W TKP0350W, TKP0450W, TKP0580W, TKP0825W, TKP0680W
TKC Series	TKC0280W, TKC0340W, TKC0470W, TKC0850W
TKM Series	TKM0475W, TKM0650W, TKM0950W, TKM1250W
TK Series	TK070, TK095, TK130, TK180, TKF055, TKF085, TKF115, TKF175
TKR, TKE Series	TKR0200W40, TKR0200W60, TKR0200W80

TSUBAKI Gear Motor



GMTA Series	TSUBAKI Gear Motor GMTA 100, GMTA200, GMTA010 GMTA020, GMTA040, GMTA075, GMTA150
HMTA Series	TSUBAKI Gear Motor HMTA010, HMTA020, HMTA040 HMTA075, HMTA150, HMTA220, HMTA370

TSUBAKI Cam Clutch



TL200-1, TL200-2, TL250-1, TL250-2, TL350-1, TL350-2, TL500-1, TL500-2 MZ15, MZ17, MZ20, MZ30, MZ45, MZ60, MZ-G, PB, B203, LD, BB, MG MI, MX, MI-S, BS30, BS50, BS65, BR, TSB, TT-1X
--

TSUBAKI Power Lock



AS Series PL019-047AS, PL019-047AE, AD Series, AE Series, RE Series

TSUBAKI Power Cylinder



LPGA, LPGB, LPGC, 070, 100, 150, 300, LPTB, LPTC, 250, 500, 1000, 2000, 4000
--