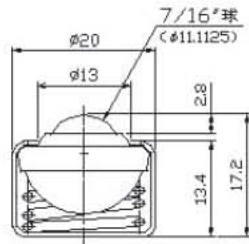




Power Transmission Equipment

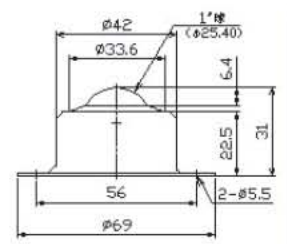
C-3S

Tolerable load 5kg Dead weight 20g



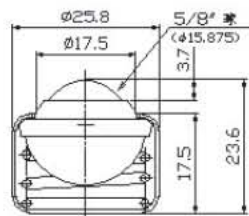
C-8R

Tolerable load 30kg Dead weight 150g



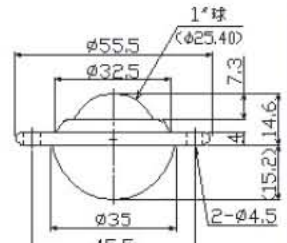
C-5S

Tolerable load 8kg Dead weight 35g



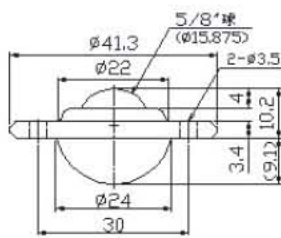
C-8L

Tolerable load 30kg Dead weight 132g



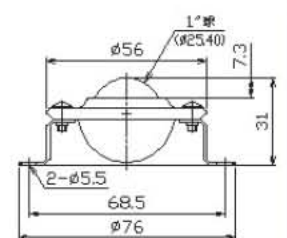
C-5L

Tolerable load 8kg Dead weight 45g



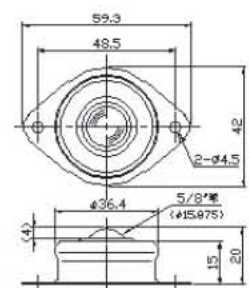
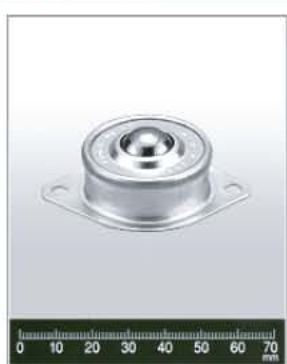
C-8L-5

Tolerable load 30kg Dead weight 185g



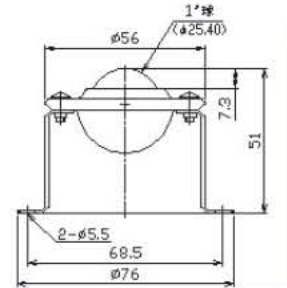
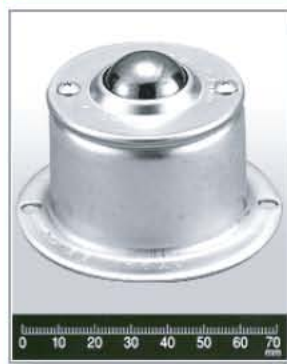
C-5L-5

Tolerable load 8kg Dead weight 50g



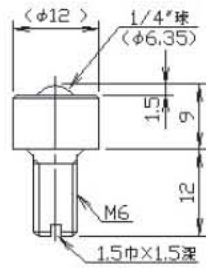
C-8L-6

Tolerable load 30kg Dead weight 210g



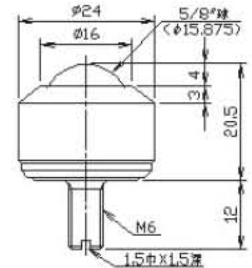
C-2H

Tolerable load 5kg Dead weight 10g



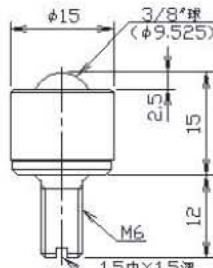
C-5HT

Tolerable load 20kg Dead weight 50g



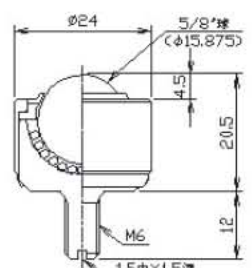
C-3H

Tolerable load 8kg Dead weight 18g



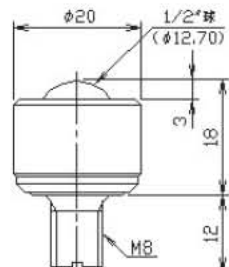
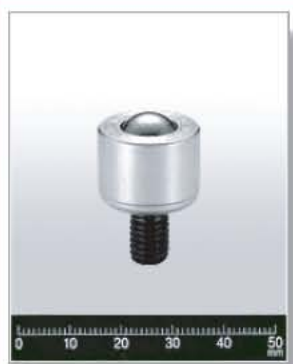
C-5HR

Tolerable load 20kg Dead weight 55g



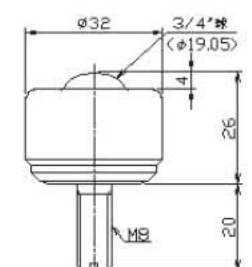
C-4H

Tolerable load 10kg Dead weight 36g



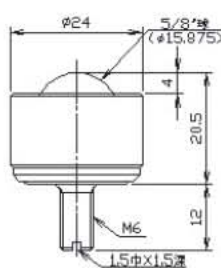
C-6H

Tolerable load 50kg Dead weight 130g



C-5H

Tolerable load 20kg Dead weight 56g



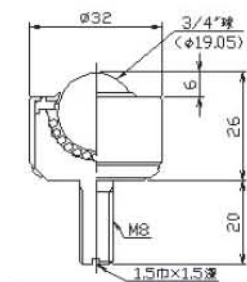
C-6HT

Tolerable load 50kg Dead weight 120g



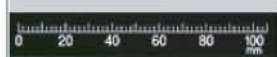
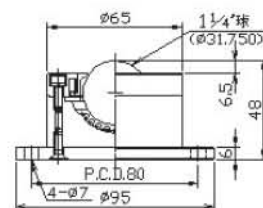
C-6HR

Tolerable load 50kg Dead weight 125g



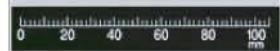
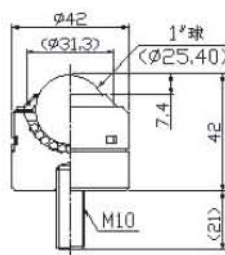
C-10H

Tolerable load 150kg Dead weight 1,400g



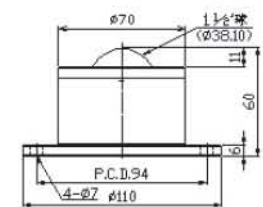
C-8H

Tolerable load 80kg Dead weight 336g



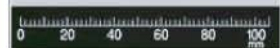
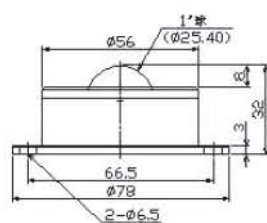
C-12H

Tolerable load 200kg Dead weight 1,670g



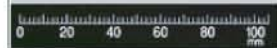
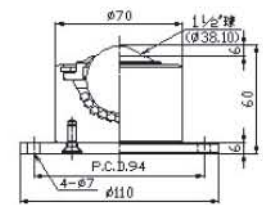
C-8HA

Tolerable load 80kg Dead weight 498g



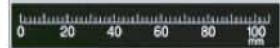
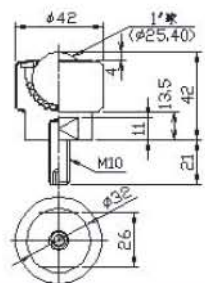
C-12HR

Tolerable load 200kg Dead weight 1,660g



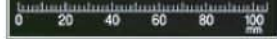
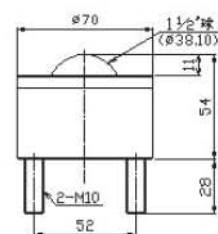
C-8HB

Tolerable load 100kg Dead weight 310g

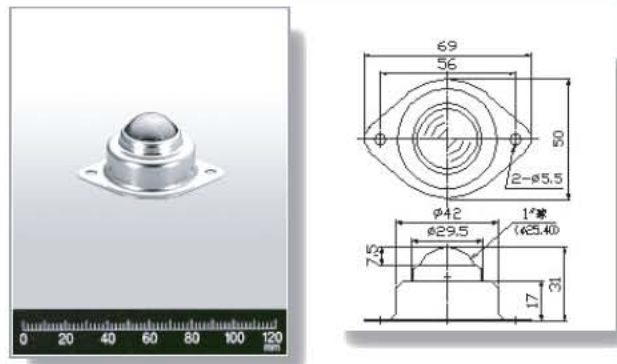


C-12HA

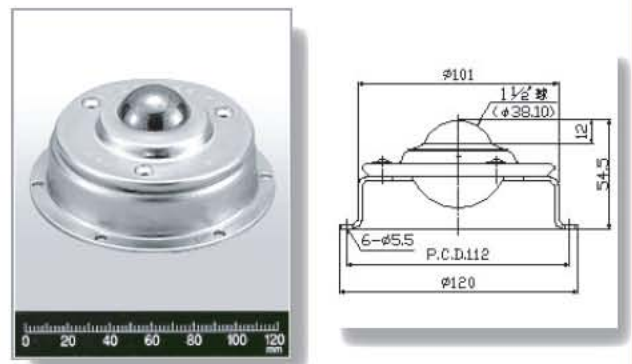
Tolerable load 200kg Dead weight 1,270g



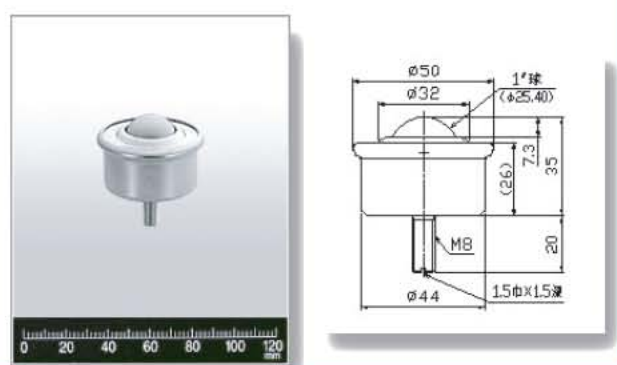
C-8Y Tolerable load 30kg Dead weight 139g



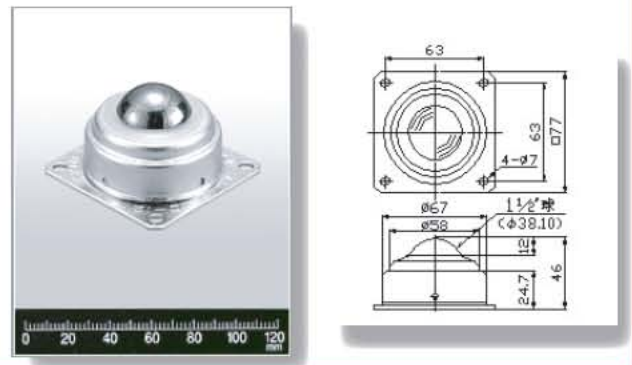
C-12L-5 Tolerable load 60kg Dead weight 705g



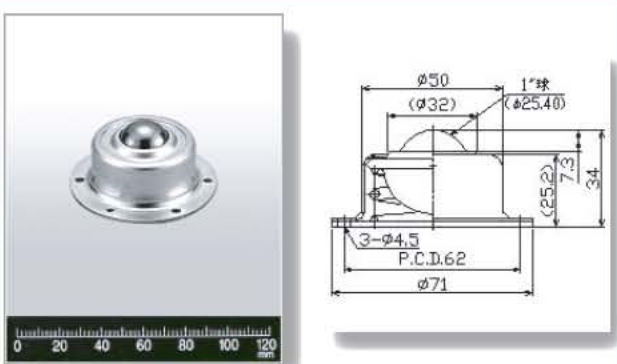
C-8B Tolerable load 30kg Dead weight 165g



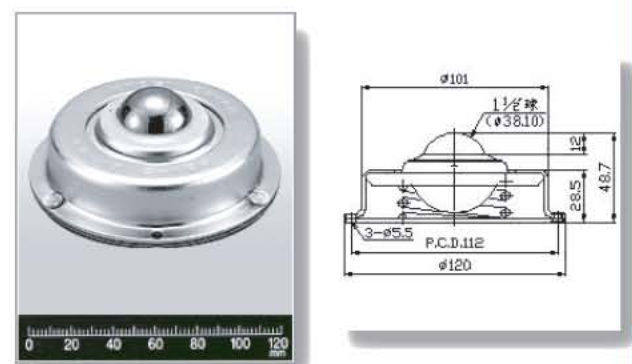
C-12K Tolerable load 60kg Dead weight 495g



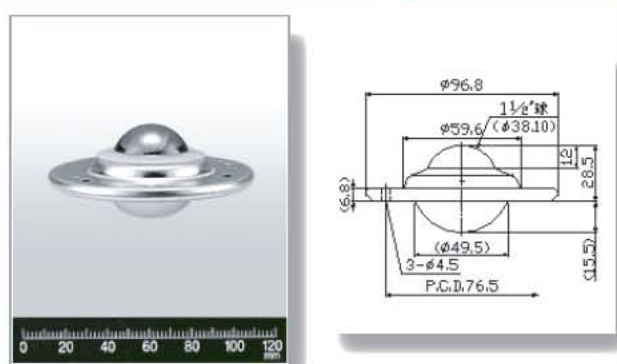
C-8S Tolerable load 30kg Dead weight 235g



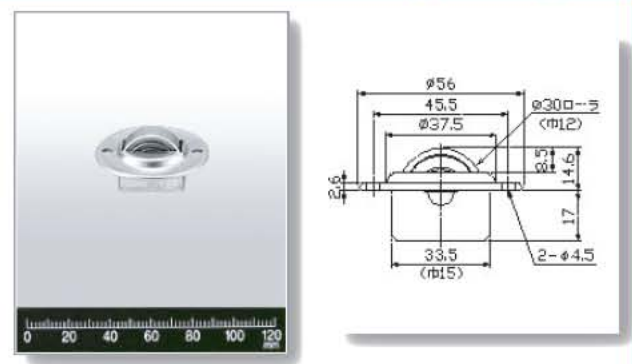
C-12S Tolerable load 60kg Dead weight 975g



C-12 Tolerable load 60kg Dead weight 505g

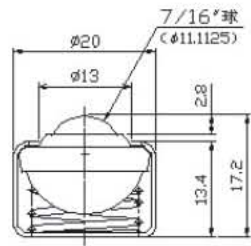


F-30 Tolerable load 30kg Dead weight 90g



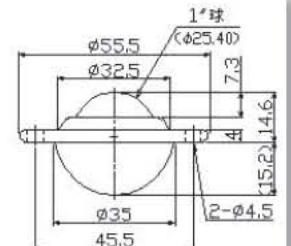
P-8S

Tolerable load 1kg Dead weight 10g



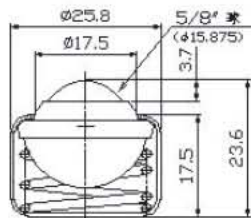
P-8L

Tolerable load 5kg Dead weight 75g



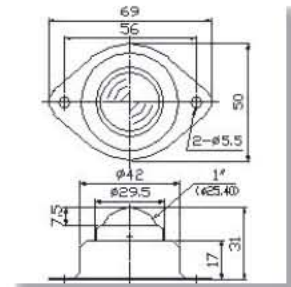
P-5S

Tolerable load 2kg Dead weight 25g



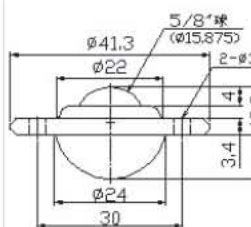
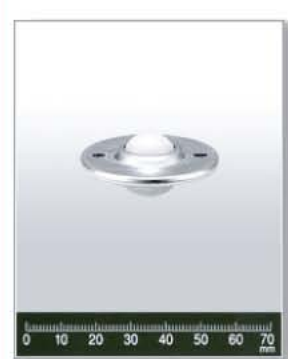
P-8Y

Tolerable load 5kg Dead weight 80g



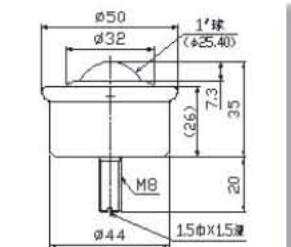
P-5L

Tolerable load 2kg Dead weight 30g



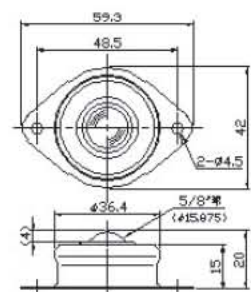
P-8B

Tolerable load 5kg Dead weight 105g



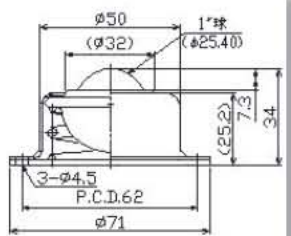
P-5L-5

Tolerable load 2kg Dead weight 35g



P-8S

Tolerable load 5kg Dead weight 180g



Application with FREEBEAR



Variety of BALL TRANSFERS and Extended Use

