



## Pneumatic, Hydraulic & Vacuum Equipment

## ASAHI Pressure Gauge

ASAHI GAUGE MFG. CO.,LTD. are manufacture the Pressure Gauge under the name of OSAKA Gauge with wide range of model suit you pressure monitoring application such as General Pressure Gauge, Stainless steel Pressure Gauge, Super-high Pressure Gauge, Low range Pressure Gauge, Differential Pressure Gauge, Small-size Pressure Gauge, Oil-Sealed Pressure Gauge, Digital Pressure Gauge, Pressure Gauge with electric contact, Pressure Transmitter, Pressure Switch.

**Pressure Gauge (Range from 0 to 200 MPa.)**

**Vacuum Gauge (Range from -0.1 to 0 MPa.)**

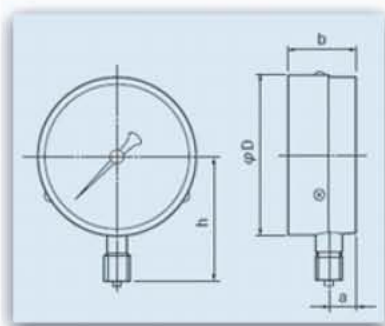
**Compound Pressure Gauge (Range from -0.1 to 4 MPa.)**



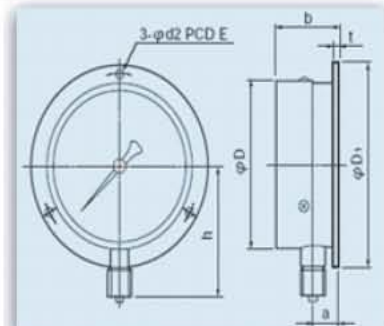
OSAKA Standard Pressure Gauge Model 101

Size	Type of case	Connection screw	Scale range
60	Type A	G1/4	0.05MPa
75	Type B	G3/8	~
100	Type D	G1/2	200MPa
150			Vacuum

Stem Mounting (Type A) 101-A



Surface Mounting (Type B) 101-B



Flush Mounting (Type D) 101-D

